

## VALPLAST® Anchor

### Description

Valplast Anchor is a hard PVC Anchor shaft used with Valplast PVC membrane. It is used to fix the PVC membrane reinforcement inner lining to outer shell, for the secondary layer such as Concrete and shotcrete, it also acts as the self-support for the membrane.

### Characteristics / Advantages

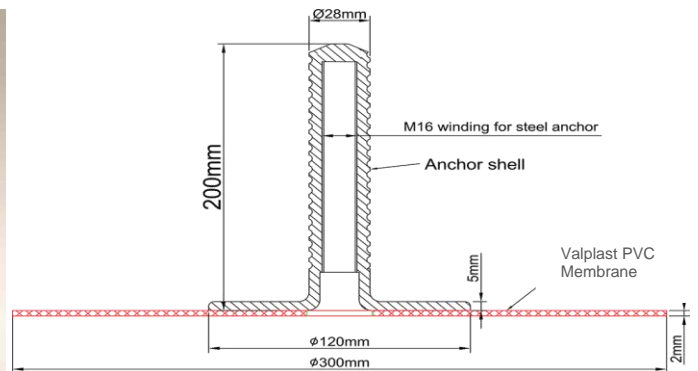
- High resistance to ageing
- High durability
- Allows Watertight hot air welded seam with Valplast PVC membrane
- Anchors have waterproofing lining, so no sealing is required
- High resistance to steel corrosion
- PVC shaft have good ability to transfer load
- Easy to install

### Compatibility

Compatible with PVC membranes.

### Technical Parameters

Characteristics	Properties	Remarks
Appearance / Colour	PVC Membrane PVC Shaft	Yellow and black Grey
Diameter	Shaft: Inside thread M16, length 200 mm Membrane: 300 mm	
Thickness	Membrane: 2.0 mm	
Ambient Air Temperature	Min. +5 °C	
Ambient Max Temperature of liquid	+35 °C max	



**How it works?**

- Cut or drill through the waterproof system Directly into the substrate
- Clean the hole with high pressure water jet and compressed air
- Inject anchor capsule
- Install Valplast Anchor
- Weld it against Valplast PVC membrane
- Install steel anchors for temporary fixing of rebar cage

**Limitations**

This product must only be installed by TUV SUD certified welders according to DVS 2225 code.

**Storage**

Valplast<sup>®</sup> Anchor must be stored in dry conditions. It must be protected from direct sunlight, rain, snow, and ice.

**Legal Notes**

All data in our product information are based on our current knowledge and experience. They do not release users from careful testing of the application and strict observation of the relevant processing regulations because of the wide range of possible influences during the application and use of our products. Legally valid assurances of specific characteristics or suitability for special purposes of application other than those provided in our documentation for the specific product cannot be inferred from our information. The recipient or processor of our products at their own responsibility must follow any protective rights or existing laws and provisions. Moreover, our general terms and conditions of sale and warranty are valid.

